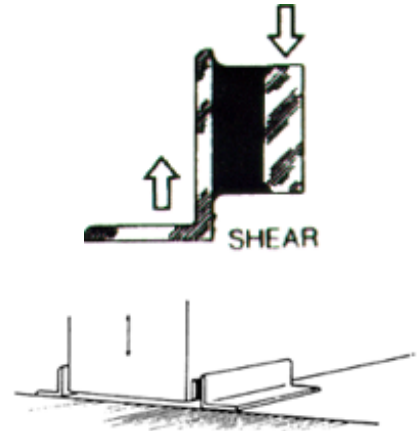
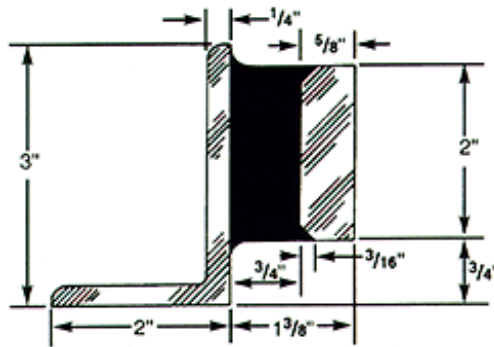
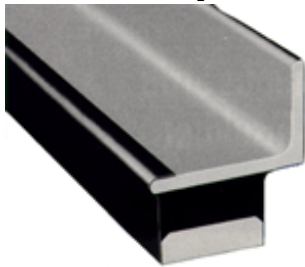




Vibro-Insulators®

**Continuous Strips
K12 Style**



Standard elastomer is 50 Durometer natural rubber.

Available in 6" and 24" lengths.
The 24" long part weight is 17 lbs.

Specifications K12 (shear)

Durometer	K Value (LBS/IN)	Max. Recommended Deflection	Loads in LBS @ Max. Deflection
50	160	1/2 "	80

Karman Rubber
 2331 Copley Road • Akron, OH 44320
 P: (330) 864-2161 • F: (330)864-2124
 Web: www.karman.com
 Email: karman@karman.com