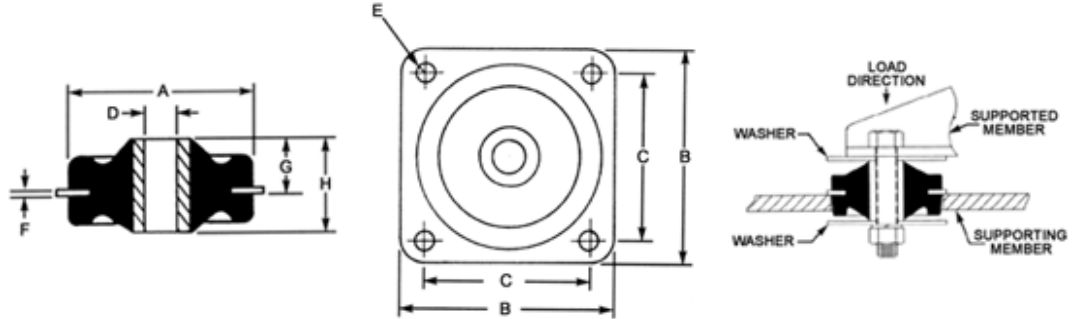
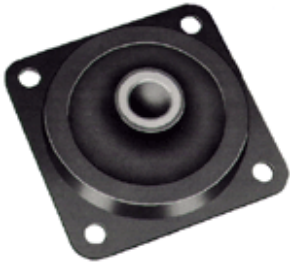




**Vibro-Insulators®**

**Plate Mounts (Square Style)**



Part Number	A	B	C	D	E	F	G	H	Axial Spring Rate LBS/IN	Axial Max. Recommended Deflection	Axial Loads in LBS @ Max. Deflection	Elastomer	Availability
<b>K91-40</b>	2.00"	2.25"	1.75"	.385 / .395"	.196"	.062"	.60"	1.00"	250	.10"	25	NATURAL RUBBER	4 TO 6 WEEKS
<b>K91-50</b>	2.00"	2.25"	1.75"	.385 / .395"	.196"	.062"	.60"	1.00"	325	.10"	32	NATURAL RUBBER	4 TO 6 WEEKS
<b>K91-60</b>	2.00"	2.25"	1.75"	.385 / .395"	.196"	.062"	.60"	1.00"	525	.10"	50	NATURAL RUBBER	4 TO 6 WEEKS
<b>K91-70</b>	2.00"	2.25"	1.75"	.385 / .395"	.196"	.062"	.60"	1.00"	825	.10"	80	NATURAL RUBBER	4 TO 6 WEEKS
<b>K95-40</b>	2.88"	3.25"	2.56"	.516" / .516"	.343"	.125"	1.38"	2.00"	600	.25"	150	NATURAL RUBBER	4 TO 6 WEEKS
<b>K95-50</b>	2.88"	3.25"	2.56"	.516" / .516"	.343"	.125"	1.38"	2.00"	1000	.25"	250	NATURAL RUBBER	4 TO 6 WEEKS
<b>K95-60</b>	2.88"	3.25"	2.56"	.516" / .516"	.343"	.125"	1.38"	2.00"	1400	.25"	360	NATURAL RUBBER	4 TO 6 WEEKS
<b>K95-70</b>	2.88"	3.25"	2.56"	.516" / .516"	.343"	.125"	1.38"	2.00"	1930	.25"	480	NATURAL RUBBER	4 TO 6 WEEKS

**Karman Rubber**  
 2331 Copley Road • Akron, OH 44320  
 P: (330) 864-2161 • F: (330)864-2124  
 Web: [www.karman.com](http://www.karman.com)  
 Email: [karman@karman.com](mailto:karman@karman.com)