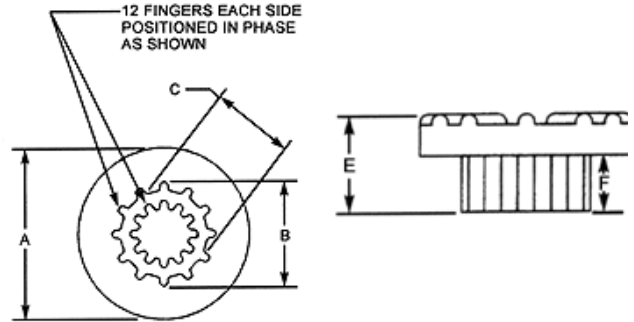




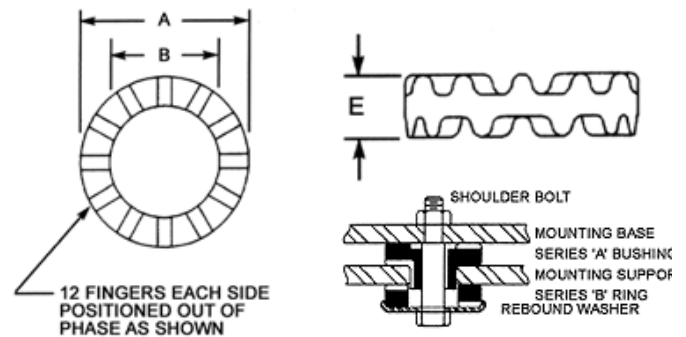
Vibro-Insulators®

Flex Mounts (All Rubber Ring Bushings Small)



| Part Number | Diameter (A) | Diameter (B) | Diameter (C) | Diameter (D) | Height (E) | Step (F) | Compression Spring Rate LBS/IN | Compression Max. Recommended Deflection | Compression Loads in LBS @ Max. Deflection | Elastomer | Availabil |
|-------------|--------------|--------------|--------------|--------------|------------|----------|--------------------------------|-----------------------------------------|--------------------------------------------|-----------|--------------|
| K1150A-30 | 1.91" | 1.16" | .56" | N/A | .88" | .51" | 580 | .06" | 35 | NEOPRENE | 4 TO 6 WEEKS |
| K1150A-40 | 1.91" | 1.16" | .56" | N/A | .88" | .51" | 760 | .06" | 45 | NEOPRENE | 4 TO 6 WEEKS |
| K1150A-50 | 1.91" | 1.16" | .56" | N/A | .88" | .51" | 1120 | .06" | 70 | NEOPRENE | 4 TO 6 WEEKS |
| K1150A-60 | 1.91" | 1.16" | .56" | N/A | .88" | .51" | 1580 | .06" | 95 | NEOPRENE | 4 TO 6 WEEKS |
| K1150A-70 | 1.91" | 1.16" | .56" | N/A | .88" | .51" | 2270 | .06" | 135 | NEOPRENE | 4 TO 6 WEEKS |

Flex Mounts (All Rubber Ring Bushings Small)



| Part Number | Diameter (A) | Diameter (B) | Diameter (C) | Diameter (D) | Height (E) | Step (F) | Compression Spring Rate LBS/IN | Compression Max. Recommended Deflection | Compression Loads in LBS @ Max. Deflection | Elastomer | Availabil |
|-------------|--------------|--------------|--------------|--------------|------------|----------|--------------------------------|-----------------------------------------|--------------------------------------------|-----------|--------------|
| K1150B-30 | 1.91" | 1.25" | N/A | N/A | .50" | N/A | 210 | .10" | 20 | NEOPRENE | 4 TO 6 WEEKS |
| K1150B-40 | 1.91" | 1.25" | N/A | N/A | .50" | N/A | 330 | .10" | 35 | NEOPRENE | 4 TO 6 WEEKS |
| K1150B-50 | 1.91" | 1.25" | N/A | N/A | .50" | N/A | 450 | .10" | 45 | NEOPRENE | 4 TO 6 WEEKS |
| K1150B-60 | 1.91" | 1.25" | N/A | N/A | .50" | N/A | 640 | .10" | 65 | NEOPRENE | 4 TO 6 WEEKS |
| K1150B-70 | 1.91" | 1.25" | N/A | N/A | .50" | N/A | 880 | .10" | 90 | NEOPRENE | 4 TO 6 WEEKS |

}

| |
|-----|
| ity |
| |
| |
| |
| |
| |
| |

3
RT

| |
|-----|
| ity |
| |
| |
| |
| |
| |
| |

Karman Rubber

2331 Copley Road • Akron, OH 44320
P: (330) 864-2161 • F: (330)864-2124
Web: www.karman.com
Email: karman@karman.com